

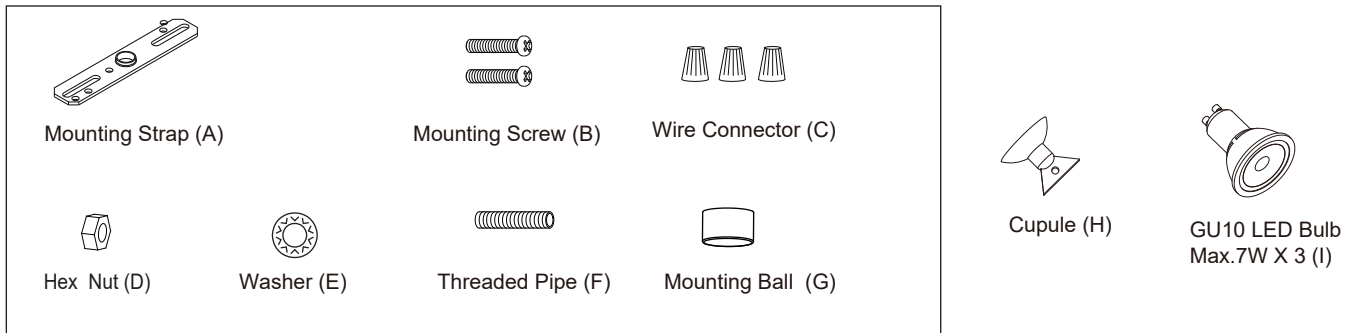
# ASSEMBLY AND INSTALLATION INSTRUCTIONS

C0219

**WARNING:** TO AVOID RISK OF ELECTRICAL SHOCK, BE SURE TO SHUT OFF POWER BEFORE INSTALLING OR SERVICING THIS FIXTURE.

NOTES: 1. Before installing, consult local electrical codes for wiring and grounding requirements.  
2. READ AND SAVE THESE INSTRUCTIONS.

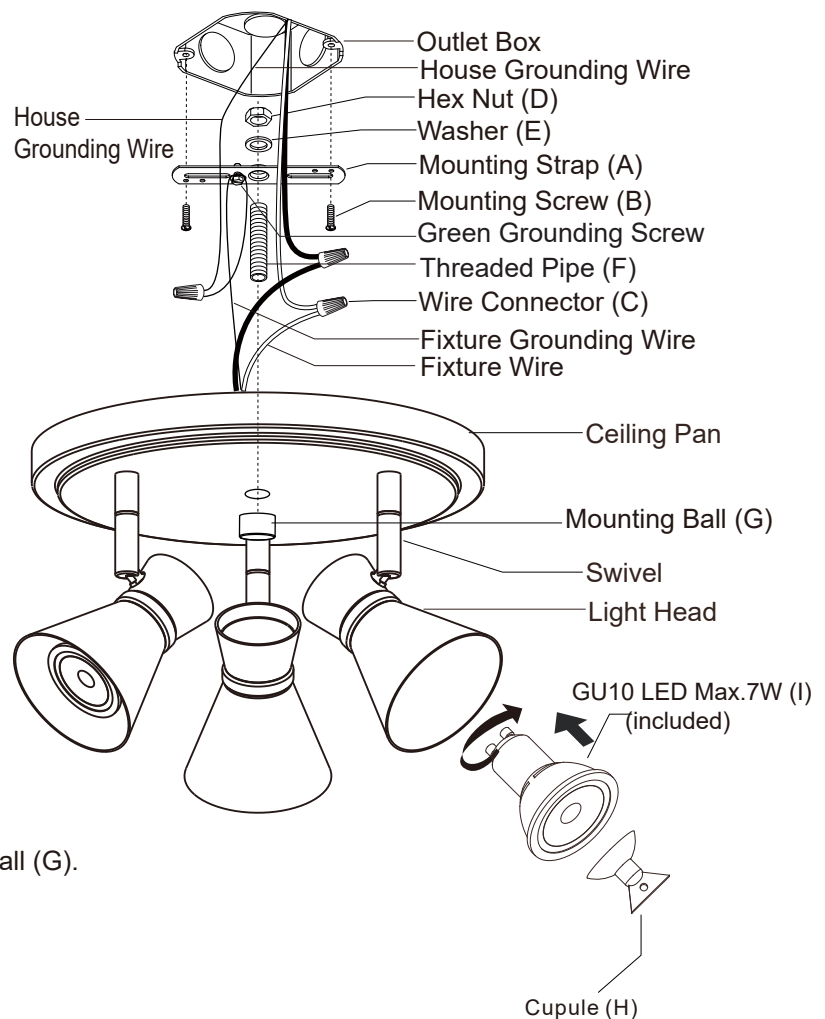
## Hardware Package (included):



## Installation Steps

Turn off the power at fuse or circuit box

1. Attach the nipple (F) thread the mounting strap (A), and then secure it with a washer (E) and hex nut (D), then tighten them.
2. Attach the mounting strap (A) to the outlet box by inserting two mounting screws (B) in both side of mounting strap (A) and tighten the screws.
3. Pull out the source wires from the outlet box. Make wire connections using wire connectors (C) as follows:
  - Connect the black (hot) wire from the fixture to the black (hot) wire from the power source.
  - Connect the white (neutral) wire from the fixture to the white (neutral) wire from the power source.
  - Attach the fixture grounding wire to the mounting strap (A) with the green grounding screw. Then connect it to the house grounding wire with a wire connector (C). Carefully put the wires back into the outlet box.
4. Attach the ceiling pan to the mounting strap (A) by inserting threaded pipe (F) through the center hole of the ceiling pan, and then secure it with mounting ball (G).



5 Attach the cupule (H) to the top surface of the bulb lens. Insert the bulb (I) into the socket using the cupule (H). Twist bulb to lock pins in place. Remove the cupule (H) from the bulb lens by pulling the knob of the cupule (H).

**Caution: LED Bulb, Type MR GU10 base, maximum 25W X 3**

**Halogen Bulb, Type MR GU10 base, maximum 50W X 3**

**Notes: LED Dimmable bulb to be compatible with most LED Dimmers, recommended Lutron:  
MSCL-OP153MH, MACL-153MH, DVWCL-153PH, TGCL-153PH, SCL-153PH.**

6. Follow step 5 of instructions of single light head installation for other two light heads.

7. Adjust the light head to a desired position by using the swivel.

Turn on the power at fuse or circuit box

The following parts are available for re-order if damaged or missing.

**Spare Parts List:**

Mounting Strap (A)    Mounting Screw (B)    Wire Connector (C)    Hex Nut (D)

Washer (E)    Threaded Pipe (F)    Mounting Ball (G)

Assembly Kit 6065MM (1SET)

Cupule (H) 6070CP

GU10 LED Bulb Max.7W (I) 8104 LED

**5-YEAR LIMITED WARRANTY:**

All products are warranted to be free of defects in material and workmanship for five (5) years from date of purchase. This warranty is limited to the correction of any such defect, or the replacement of any such defective item(s), provided that: (a) we are properly notified and consent to return of the item(s) in question:(b) the item(s) is / are returned with proof of purchase date; and (c) it is found upon inspection by us that the item(s) is / are defective as noted above. This warranty does not cover labor costs, consequential damages, nor does it apply to any item(s) that have been improperly installed, overloaded, altered, or otherwise abused by the customer, its agent(s) or employee(s). Finishes are specially excluded from the terms of this warranty since they are subject to environmental maintenance deemed beyond our control. Other than the described obligation, we assume no further liability with respect to the sale or use of our products. We make no warranty, express or implied, and disclaim any warranty of merchantability or fitness for a particular purpose.

