

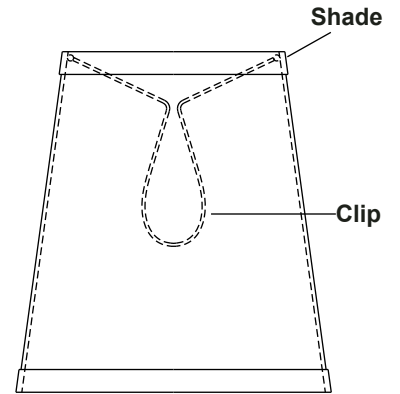
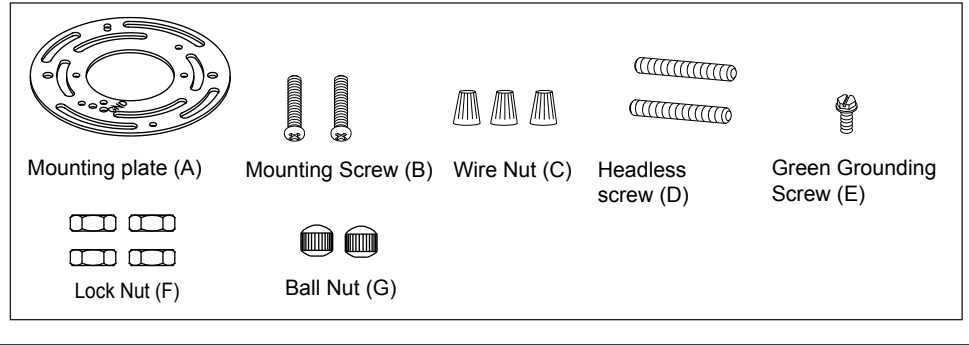
ASSEMBLY AND INSTALLATION INSTRUCTIONS

W0247

WARNING: TO AVOID RISK OF ELECTRICAL SHOCK, BE SURE TO SHUT OFF POWER BEFORE INSTALLING OR SERVICING THIS FIXTURE.

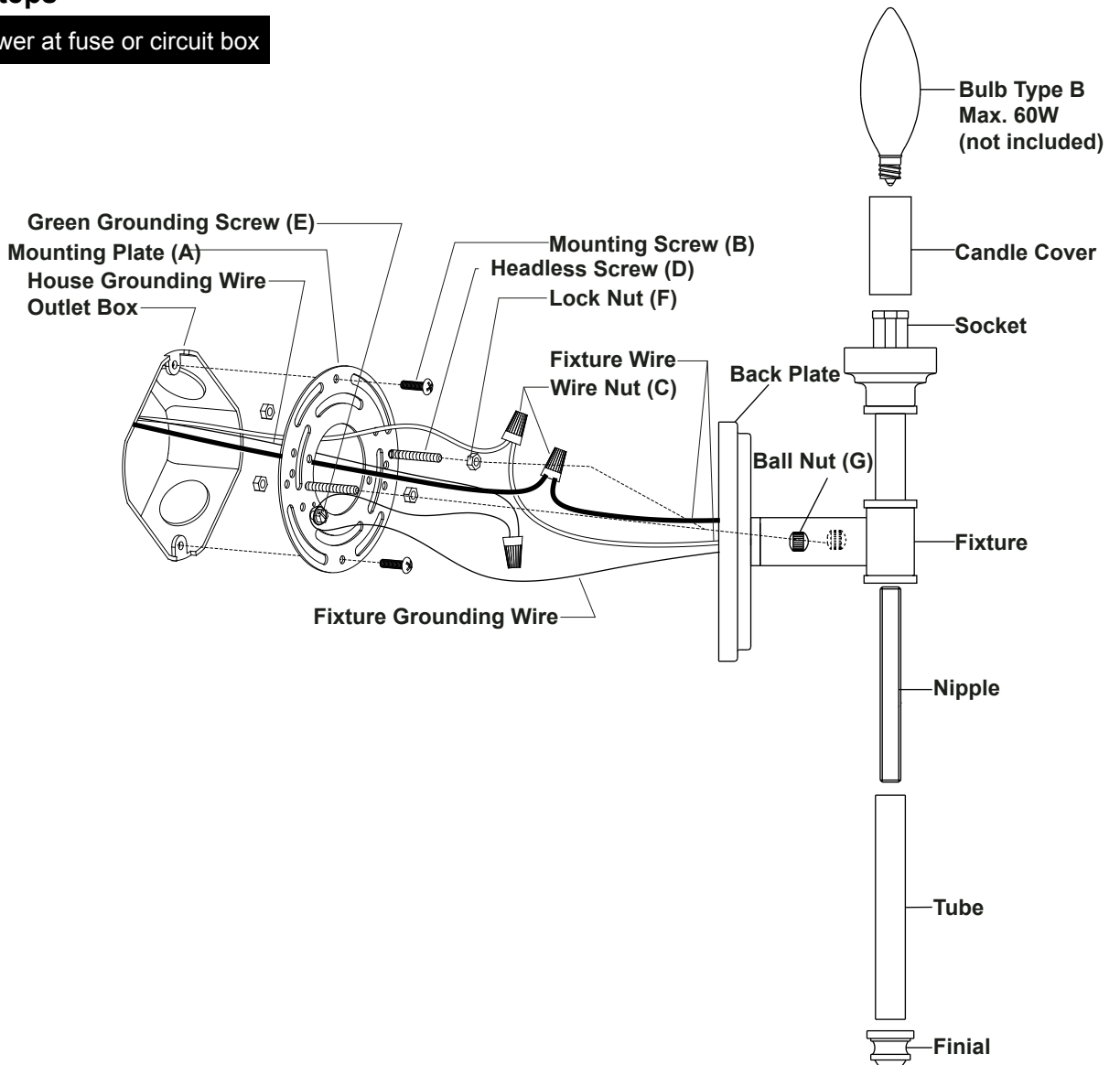
NOTES: 1. Before installing, consult local electrical codes for wiring and grounding requirements.
2. READ AND SAVE THESE INSTRUCTIONS.

Hardware Package (included):



Installation Steps

Turn off the power at fuse or circuit box



1. Thread two headless screws through the mounting plate, then secure them with four lock nuts (two on each side of the mounting plate). Adjust the length of the headless screws if necessary.
 Note: Make sure that the headless screws are lined up horizontally, in order to ensure that the fixture will be level.
2. Attach the mounting plate to the outlet box by using two mounting screws.
3. Place the candle cover onto the socket to cover the socket completely.
4. Secure the nipple into the fixture light until tightened.
5. Attach the tube to the fixture by inserting the nipple, then secure it with the finial.
6. Pull out the outlet wires and house grounding wire from the outlet box. Make wire connections using the wire nuts:
 - Connect the black wire from the fixture to the black wire from the power source.
 - Connect the white wire from the fixture to the white wire from the power source.
 - Attach the fixture grounding wire to the mounting strap with the green grounding screw. Then connect it to the house grounding wire with a wire nut.
 Carefully put the wires back into the outlet box.
7. Attach the fixture to the mounting plate by inserting the headless screw, then secure it with the ball nuts.
8. Install a bulb (not included). See relamping label on socket area or packaging for maximum allowed wattage.
9. Place the shade onto the bulb and allow the clip of the shade to hold the shade.

Turn on the power at fuse or circuit box

The following parts are available for re-order if damaged or missing.

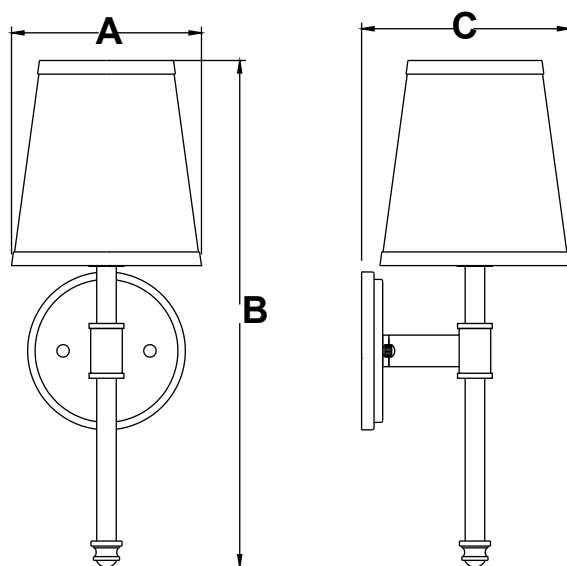
Spare Parts List:

Mounting plate (A) Mounting Screw (B) Wire Nut (C) Headless screw (D) Green Grounding Screw (E)

Lock Nut (F) Ball Nut (G)

Shade 5097FS

Mounting Hardware 5621MM (1 SET)



A: 6"
 B: 16"
 C: 6-3/4"