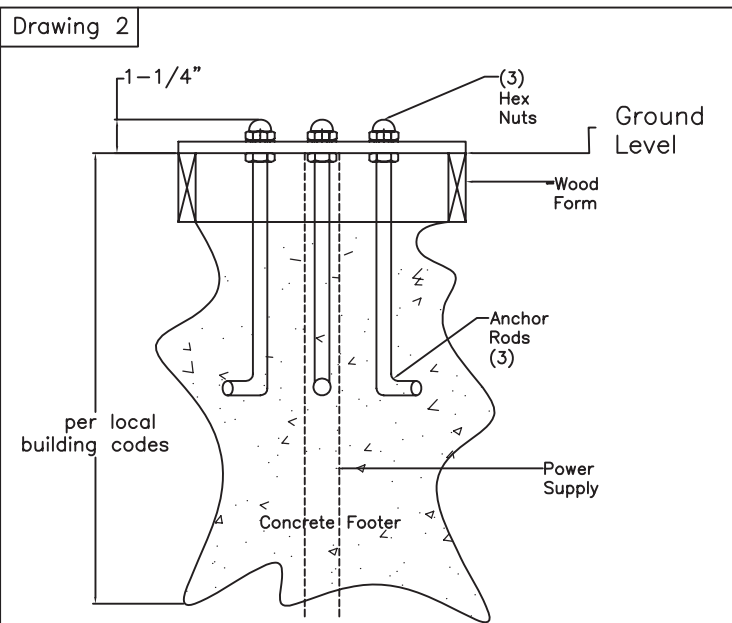


Anchor Bolt Jig instructions:

Step 1:

- A. To insure proper bolt location, it is recommended that a wood form be built per Drawing 1.
- B. using the paper template supplied, transfer the anchor bolt pattern to the wood form and drill (3) $\frac{9}{16}$ " holes at points indicated. Hole location can also be determined by using the dimensions given in Drawing 1.
- C. Mount Anchor Bolts in wood form as shown in side view in Drawing 2.

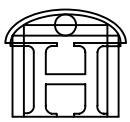
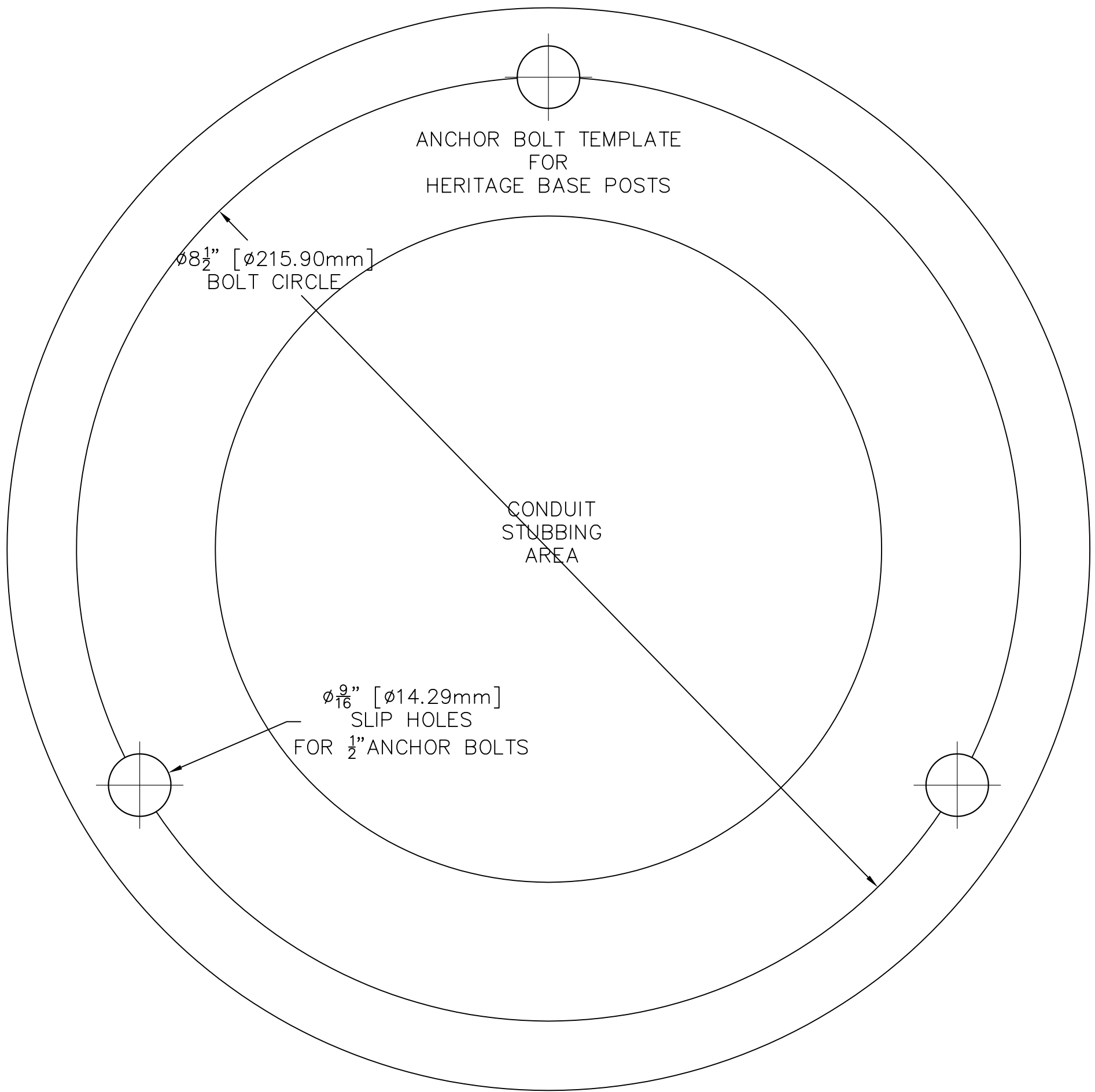


Anchor Bolt installation:

- A. Prepare a hole approximately 12" square and x" deep. Please note the depth of the hole is determined by local building codes. Please check with your municipality.
- B. Place Anchor Bolt Jig over prepared hole in accordance with dimensions pointed out in Drawing 2.
- C. Locate electrical supply wire up through center of Anchor Bolt Jig. (Provide ample wire for connection to lantern)
- D. Pour concrete and level. Make sure concrete is completely set (dry) prior to removing form.

Post Installation;

- A. It is recommended that the bottom surface of the pole be painted with an asphalt sealer prior to installation to prevent corrosion between aluminum casting and the concrete.
- B. Feed electrical supply wire through the post and slip post base over anchor bolts. Use hardware supplied to attach to concrete pad.
- C. Use rubber caps supplied to cover ends of anchor bolts.
- D. Split bolt cover can now be installed over base of post and anchor bolts.
- E. Fixture can now be installed on post. Please follow instruction provided with fixture.



HINKLEY
ARCHITECTURAL

design • illuminate • enjoy

Tolerance +/- 1/32"

COMMENTS

170009KIT

DESCRIPTION

170009 BOLT TEMPLATE

73200,73700,74200,74700,75200,75007

DR BY

DATE

SCALE

REV

12/03/02

Full

—

170009

SHT.
1